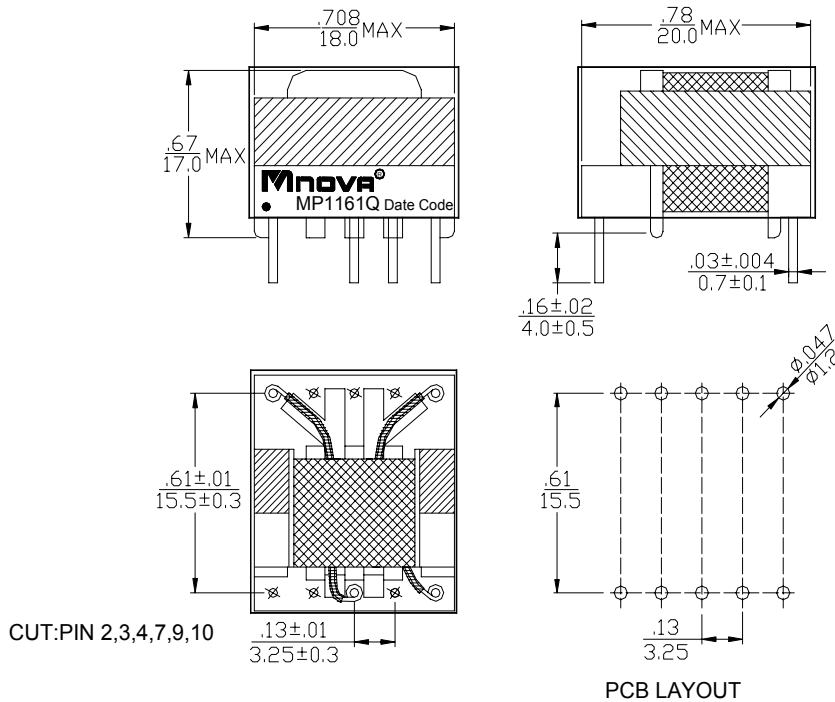


- IEC60950 Compatible
- High insulation type High efficiency
- ROHS Compliance Product
- Operating Temperature range: 0°C TO +70°C



Electrical Specifications @ 25°C						
P/N	T/R	OCL@100KHz 1.0V	LL @ 100KHz 0.1V	DCR		Hi-Pot
MP1161Q	(8-6):(5-1)	(8-6)	(8-6),(tie1+5)	(8-6)	(1-5)	PRI TO SEC
	61.5:7	1.4 mH±10%	85 µH Max	3.5Ω MAX	120mΩ MAX	3000VAC,3mA 60s

DIMENSIONS (unit: inch/mm):



SCHEMATICS:

